

Dandy Bag® Plan Insert

The patented Dandy Bag® is designed for use with flat grates (including round) and mountable curbs to detain sediment-laden storm water. The suspended solids are allowed to settle out of the slowed flow prior to entering the Dandy Bag®.

Installation

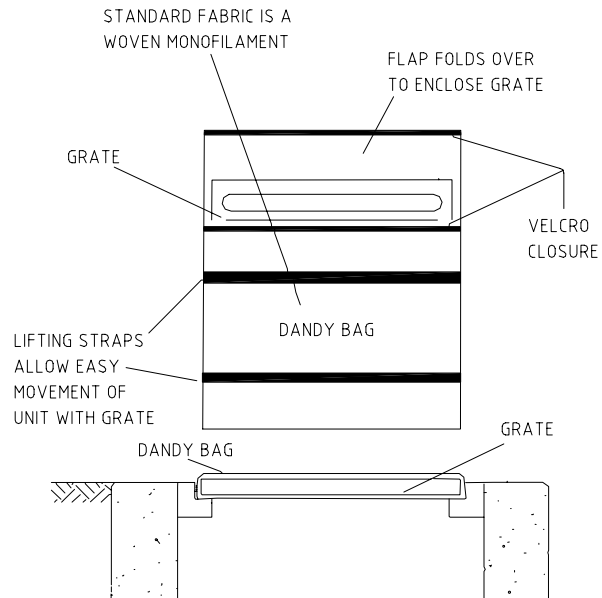
1. Stand the grate on end
2. Place the Dandy Bag® over the grate
3. Roll the grate over so that the open end is up
4. Pull up the slack
5. Tuck the flap in
6. Press the velcro strips together
7. Be sure that the end of the grate is completely covered by the flap or the Dandy Bag® will not work properly
8. Holding the handles, carefully place the Dandy Bag® with the grate inserted into the catch basin frame

Maintenance

To insure proper operation remove silt, sediment, and debris from the surface and the vicinity of the unit with a square point shovel or stiff bristle broom away from environmentally sensitive areas and waterways in manner satisfactory to the engineer/inspector. Remove fine material from inside Dandy Bag® as needed. Dispose of Dandy Bag® no longer in use at an appropriate recycling or solid waste facility.

Inlet Inspection

To inspect inlet, remove Dandy Bag® with grate inside, inspect catch basin and replace Dandy Bag® back into grate frame.



Ponding is likely if sediment is not removed regularly. The Dandy Bag® must never be used where overflow may endanger an exposed slope. The Dandy Bag® is not intended for any other use and should not be used for any other purpose.



DANDY PRODUCTS, INC.
2011 Harrisburg Pike, Suite R
Grove City, Ohio 43123

1-800-591-2284
(local) 614-875-2284
FAX: 614-875-6305
E-MAIL: dandy@dandyproducts.com
www.dandyproducts.com